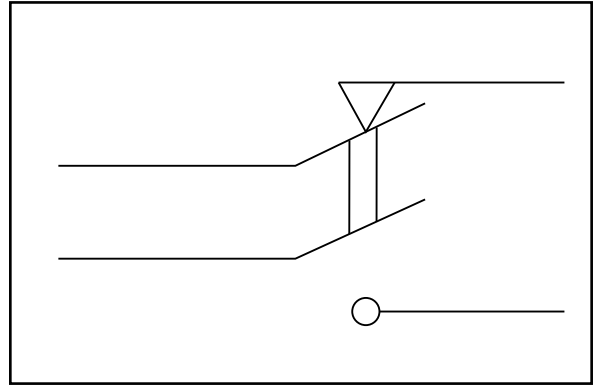
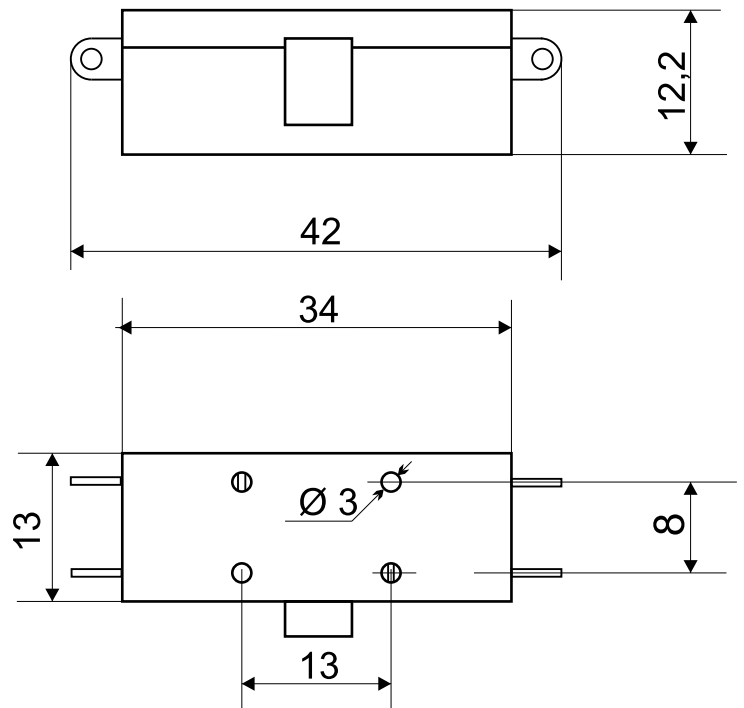
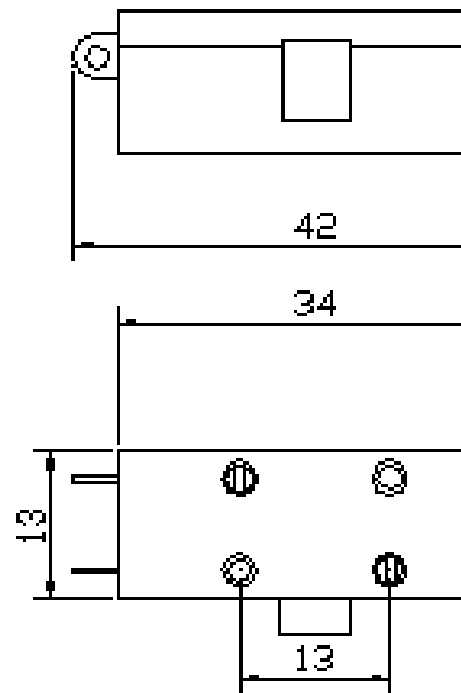
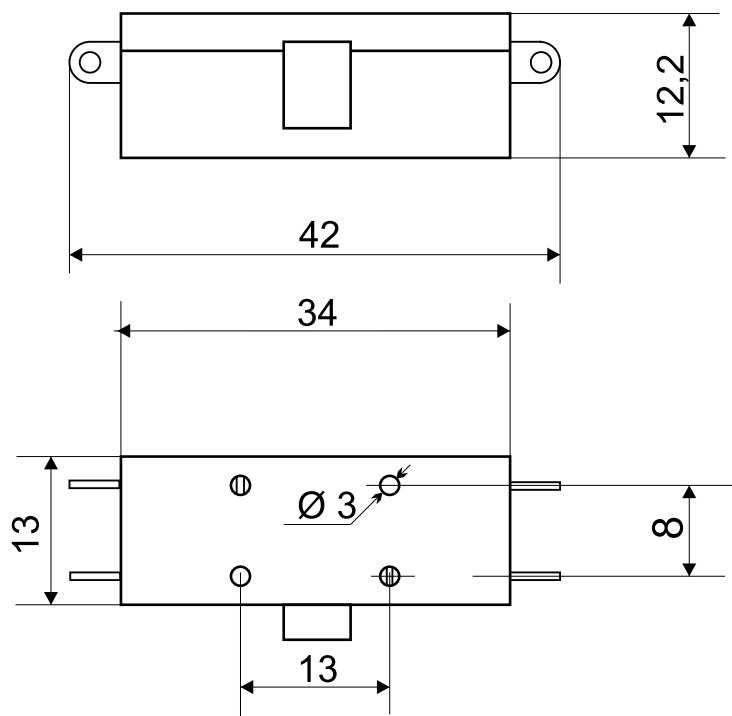


WK3-1



Type	Parametres of chains of a direct			Parametres of chains of an alternating			
	Voltage, V	Current A		Voltage, V	Current, A		Frequency, Hz
		At active load	At inductive load		At active load	At inductive load	
WK3-1	15-30	0,2-10	0,2-5	220	0,2-3	0,2-5	50





技术参数:

接触电阻
绝缘电阻
耐 压
寿 命
工作行程
动作压力
环境温度
环境湿度